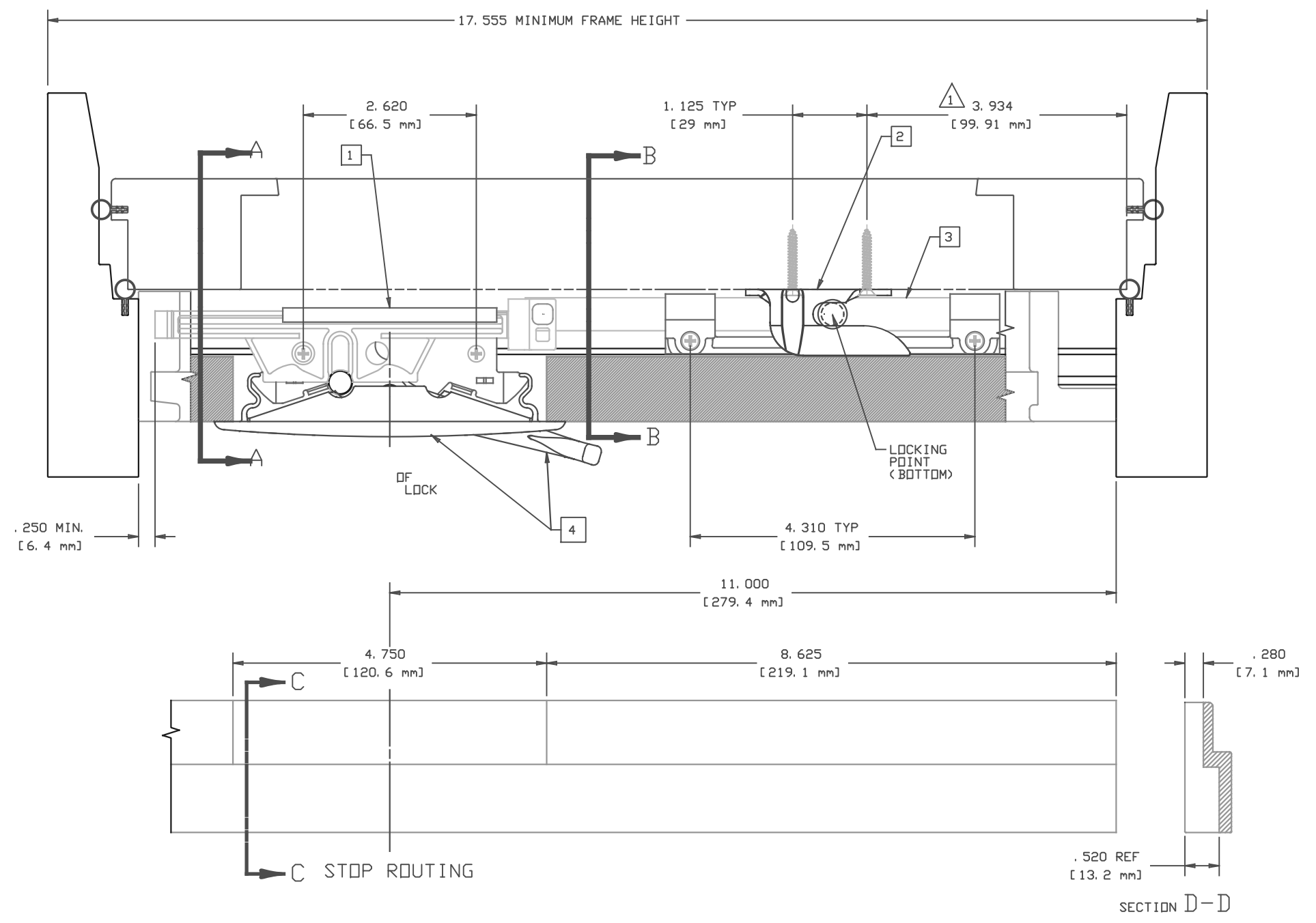
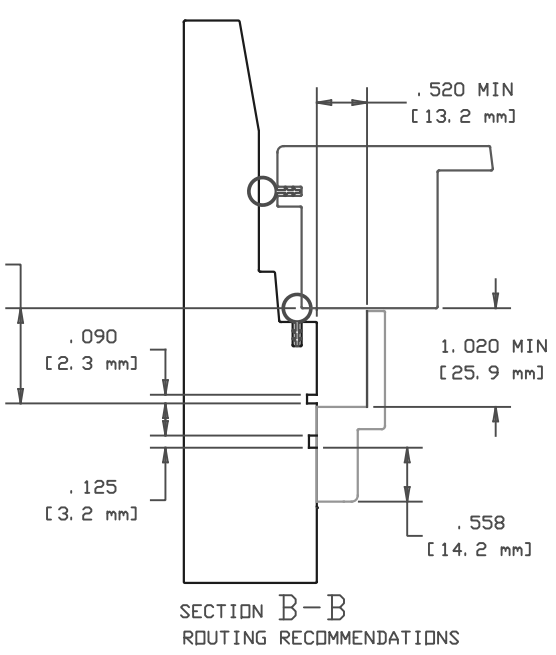
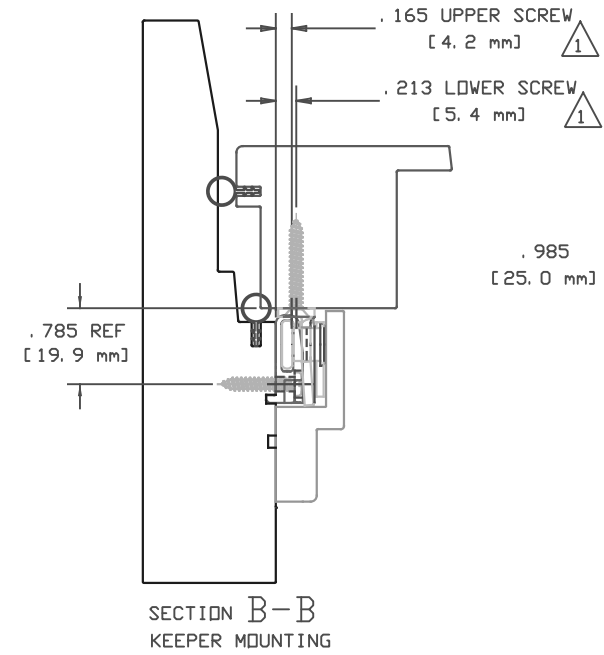
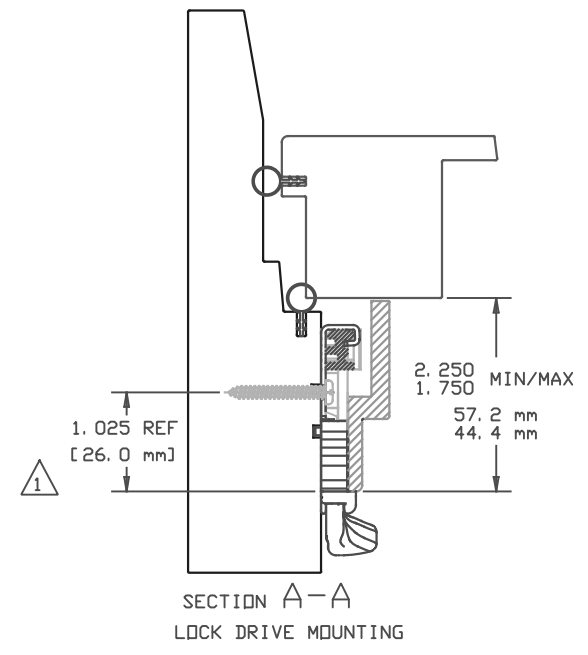


ID	LOC	REV	DATE	BY
A		CREATED	06/02/05	
B		UPDATED	07/19/05	
C		UPDATED	01/12/12	

GENERIC-M



ITEM #	PART NO.	QTY	DESCRIPTION
6	19051.92	2	SCREW 6X1 T17 PH FH SMS YZP (KEEPER)(SST NA)
5	19077.92	4	SCREW 6X1 T17 PH PH SMS YZP (LOCK-TB)
4	12662.XX	1	ENCORE TANGD HANDLE AND ESCUTCHEDN
3	12665.92	1	ENCORE TIE BAR ASSEMBLY (12666 RH)
2	33593.00.0500 OR 33593.92	1	KEEPER, LH FLANGE SS (33592.00.0500 RH)
		1	KEEPER, LH FLANGE (33592.92 RH)
1	12642.93	1	ENCORE LOCK DRIVE ASSEMBLY

- NOTES:
- 1 ACCURACY OF INDICATED DIMENSIONS IS CRITICAL TO THE FUNCTION OF THE MULTI-POINT LOCK.
 2. TIE BAR MOVES APPROX. 1.50"
 3. CONTACT TECHNICAL SERVICES FOR TIE BAR INFORMATION.

THIS DRAWING CONFORMS TO ANSI Y14.5M - 1982

TRUTH HARDWARE
an FKI Industries Company
700 West Bridge Street
Davenport, IA 52806
Telephone 507-451-5620

PROPRIETARY TO:
THIS DRAWING IS THE PROPERTY OF TRUTH HARDWARE. THE INFORMATION THEREIN IS TO BE TREATED AS CONFIDENTIAL. IT IS NOT TO BE USED, COPIED, OR DISCLOSED TO OUTSIDE PARTIES WITHOUT OUR WRITTEN CONSENT.

DRAWN BY: B. DLESDN DATE: 06/02/05
CHECKED BY: /GV SCALE: FULL

PART NAME: ENCORE LOCK AWNING APPLICATION WITH FLANGE KEEPER

PROFILE: GENERIC CONCEPT DRAWING NO: GENERIC-M C D

DO NOT SCALE DRAWINGS